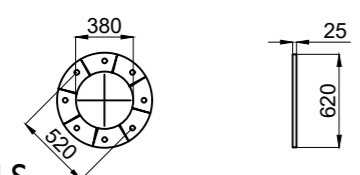
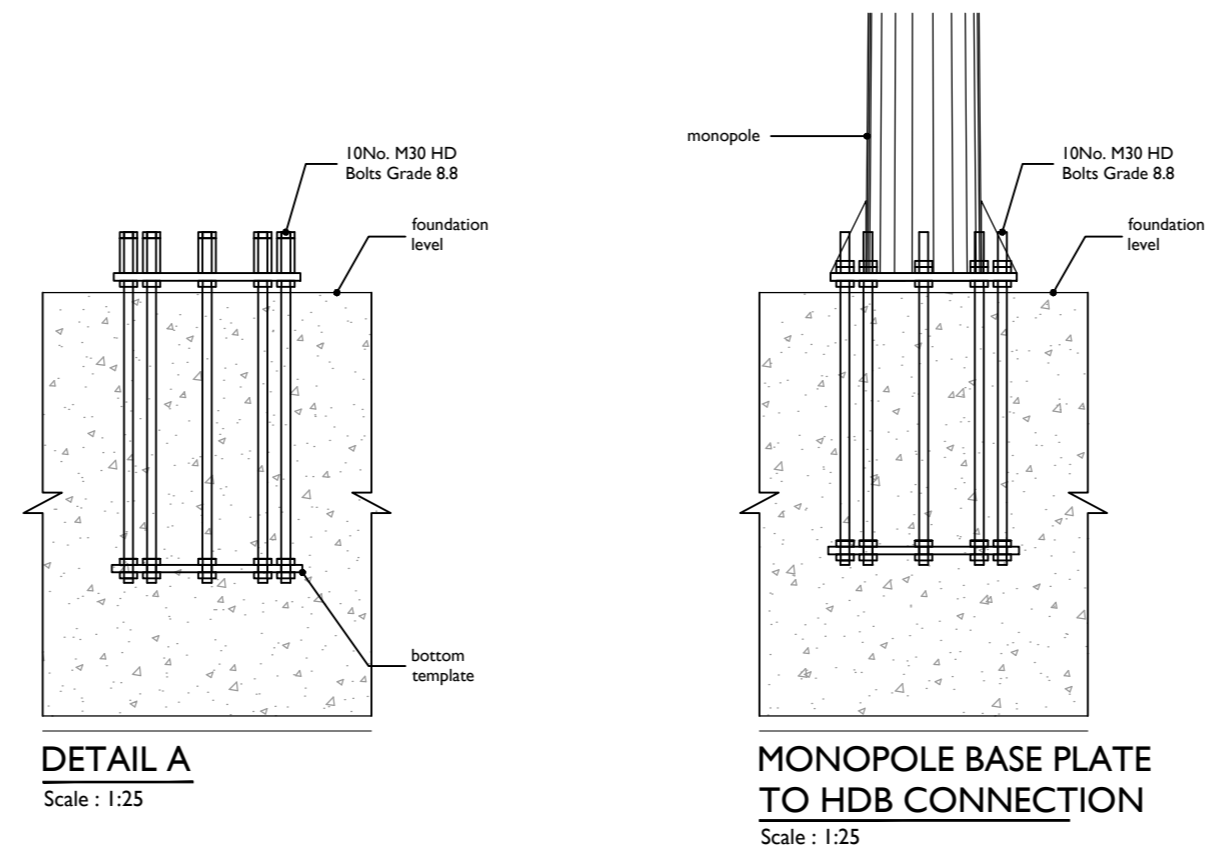


Detail based on Lamppost Construction ESB Specification 18m Lightning Monopole

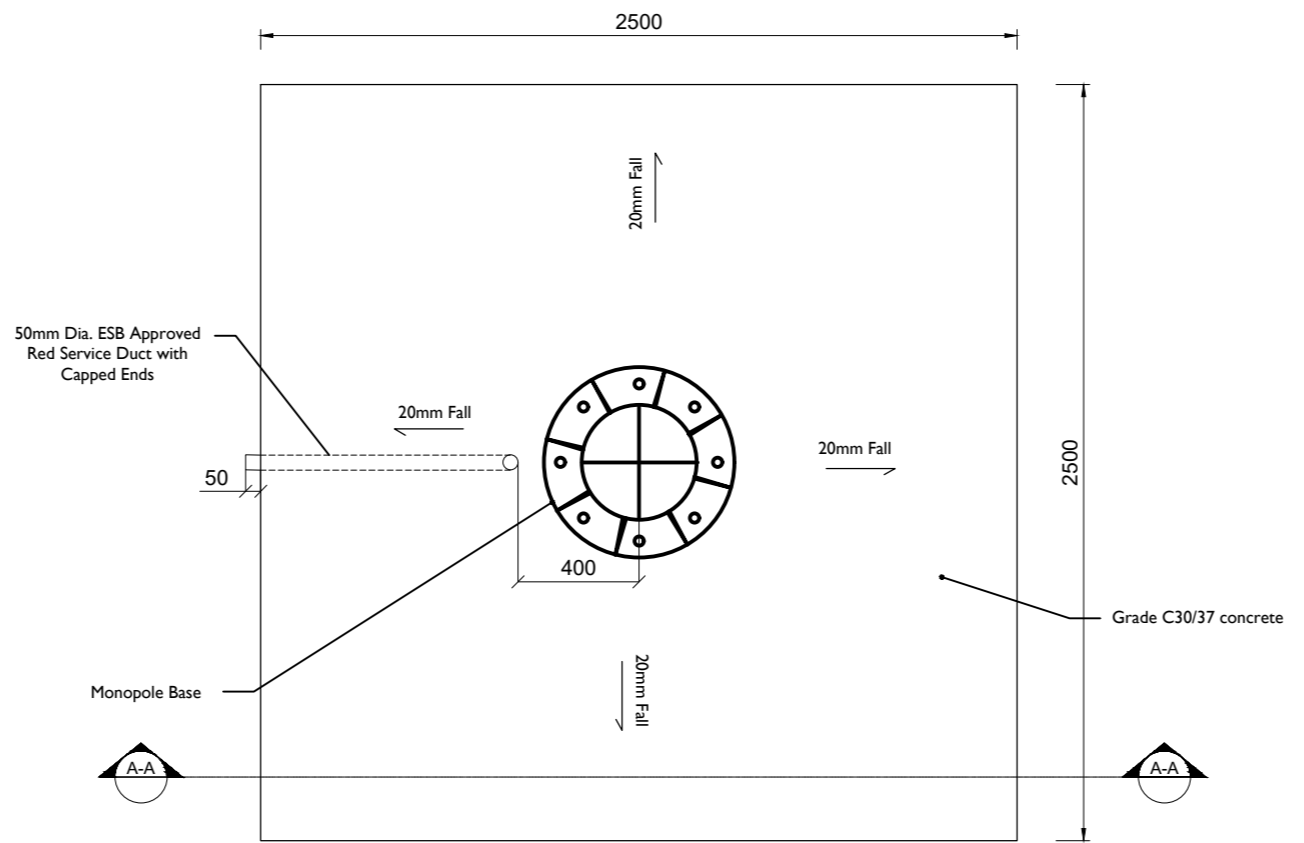


MONOPOLE DETAILS
Scale : 1:50

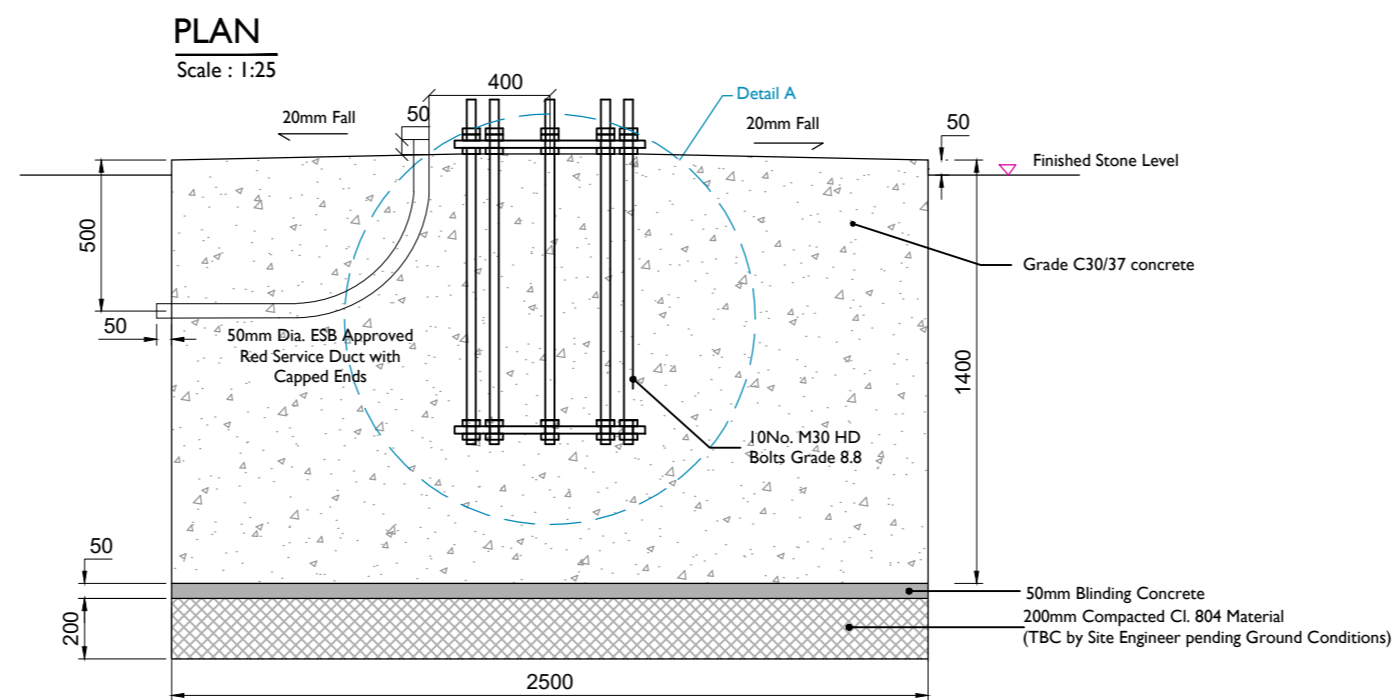


DETAIL A
Scale : 1:25

MONOPOLE BASE PLATE TO HDB CONNECTION
Scale : 1:25



PLAN
Scale : 1:25



SECTION A-A: FOUNDATION DETAIL
Scale : 1:25

GENERAL NOTES:

1. ALL drawings to be read in conjunction with the Specification and all Engineers and Architects Drawings.
2. All concrete to be in accordance with I.S. EN 206-1:2002 with the Mix Designs shown in Table 1
3. Concrete finishes to be in accordance with Table 6.1 of the ESBI Specification CS17-SO1-005.
4. ALL Reinforcement shall be in accordance with BS4449 and scheduled in accordance with BS.8666. 300mm Laps for A142 Mesh 600mm Min Laps for A393 Mesh.
5. Refer always to relevant Earth Grid drawing prior to excavations & concrete pours.
6. Geometrical tolerances to be in accordance with Table 6.2 of ESBI Specification CS17-SO1-005

FOUNDATION NOTES:

7. Ground to have a minimum Bearing Capacity of 100 kN/m².
8. Formation level and Foundations to be inspected and approved by the Engineer prior to any Concrete being poured.
9. All Foundations are to be blinded immediately after excavation with 50mm of C16/20 Concrete Blinding.
10. Refer always to the relevant Earth Work Drawings prior to Excavations & Concrete pours.

PROJECT

Ballynahone
Long Duration
Energy Storage

CLIENT



CONSULTANTS



NOTES: -

- This drawing is to be read in conjunction with relevant engineering drawings, specifications and reports
- Dimensions are in millimeters, unless noted otherwise
- Drawings are not to be scaled use figured dimensions only

LEGEND: -

ISSUE/REVISION

NO.	DATE	DESCRIPTION
P2	22.08.24	Issued for Planning
P1	30.05.24	Issued for Planning
I/R	DATE	DESCRIPTION

PROJECT NUMBER

05.1040

SHEET TITLE

Lightning Monopole Details - 18m Mast

SHEET NUMBER

051040-DR-107