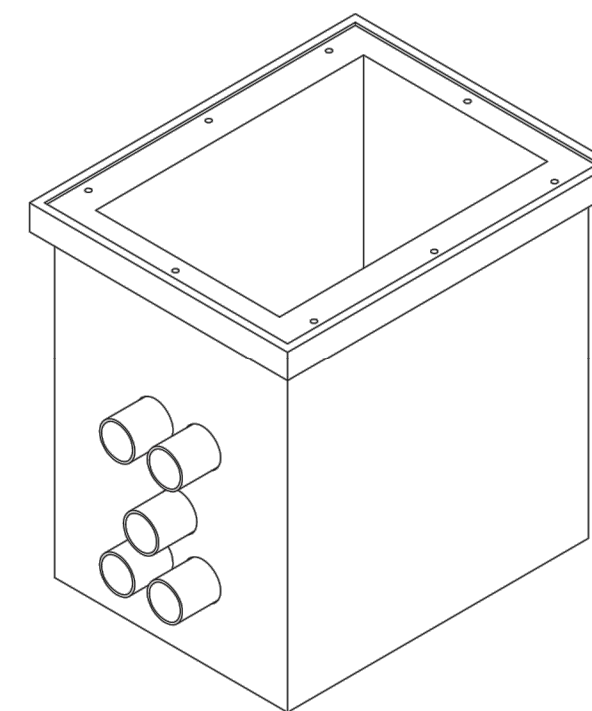
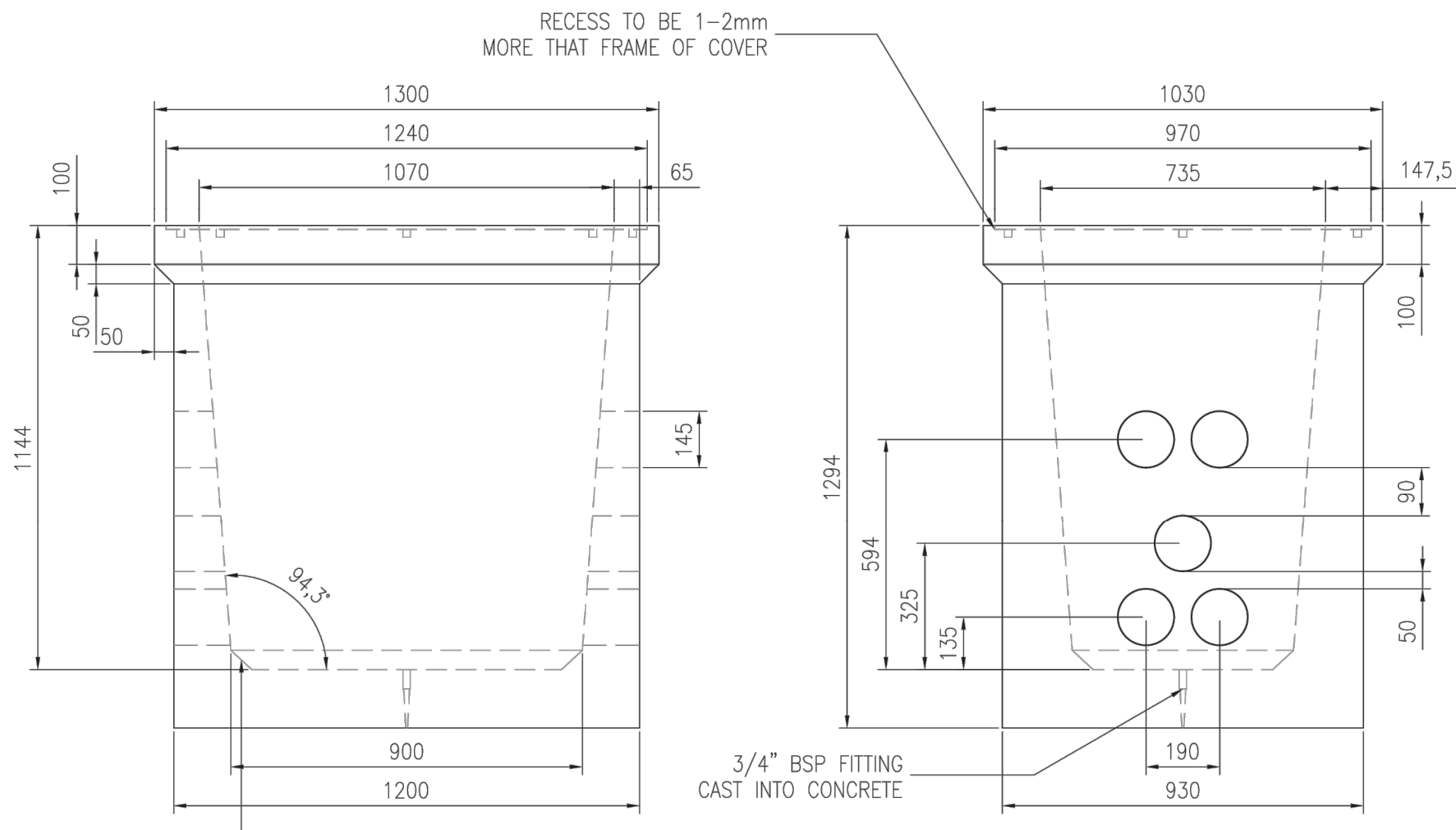
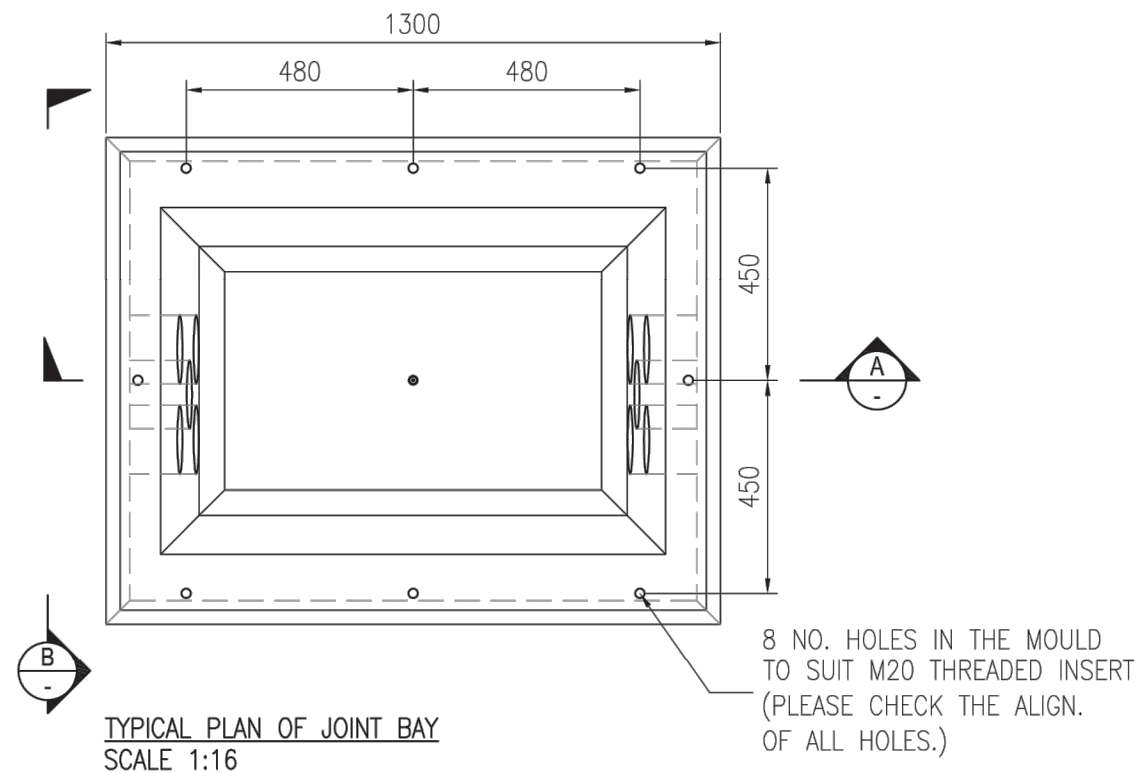
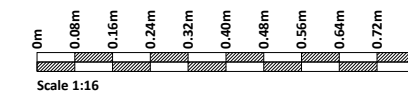


NOTES:

1. For planning only, not for construction.
2. All dimensions in millimeters unless otherwise stated.



ISOMETRIC: C2 CHAMBER ARRANGEMENT
NOT TO SCALE



If Applicable : Ordnance Survey Ireland Licence No. CYAL50221678 © Ordnance Survey Ireland and Government of Ireland

Rev.	Description	App By	Date
P01	FOR PLANNING	JH	19.09.24

PROJECT	BALLYNAHONE LONG DURATION ENERGY STORAGE			CLIENT	FUTUREENERGY IRELAND DEVELOPMENT DAC		
SHEET	INTERNAL JOINT BAY DETAILS			Date	19.09.24	Project number	P23-117
				Scale (@ A3)	1:16		
				Drawn by	POR	Drawing Number	P23-117-0300-0001
				Checked by	TB		Rev
							P01