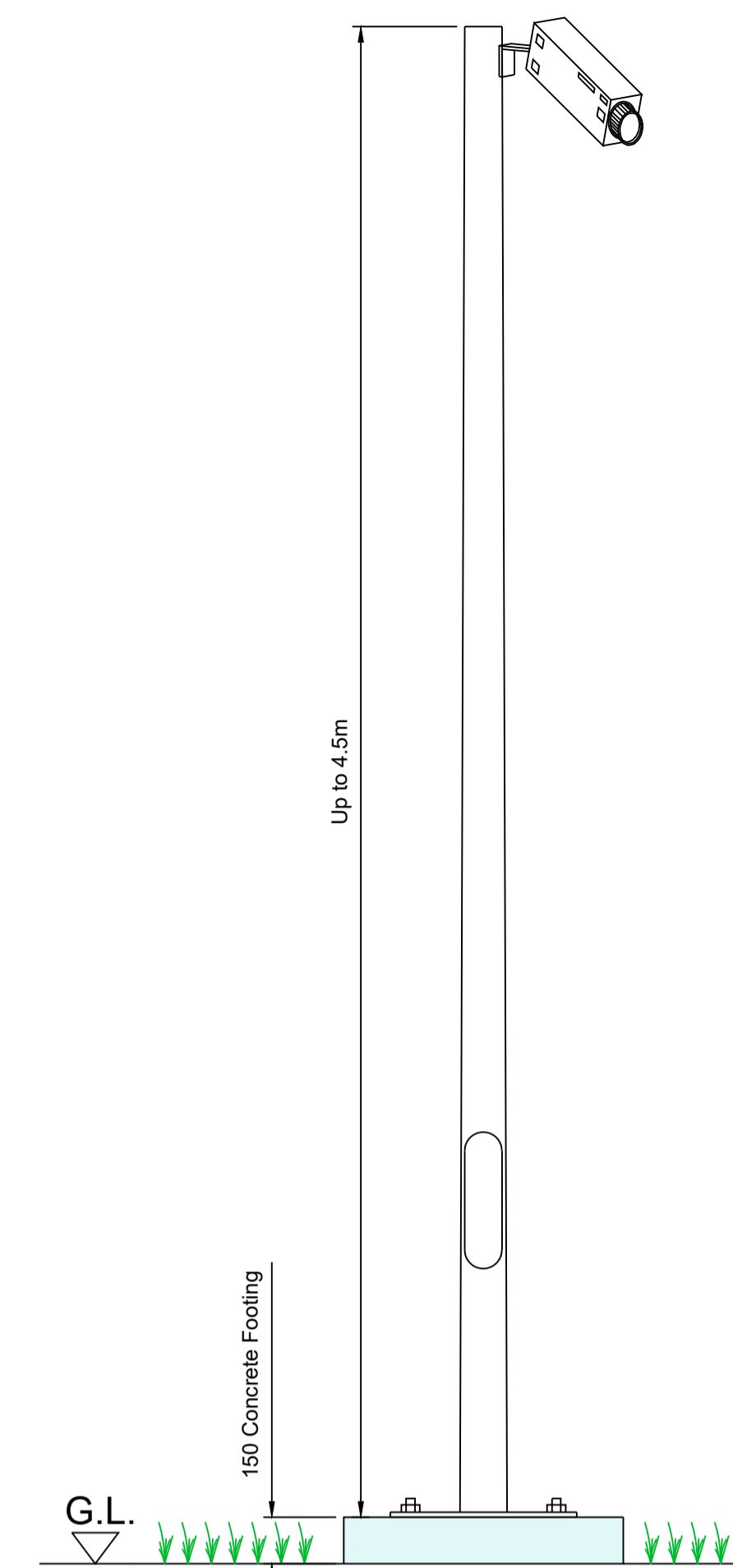
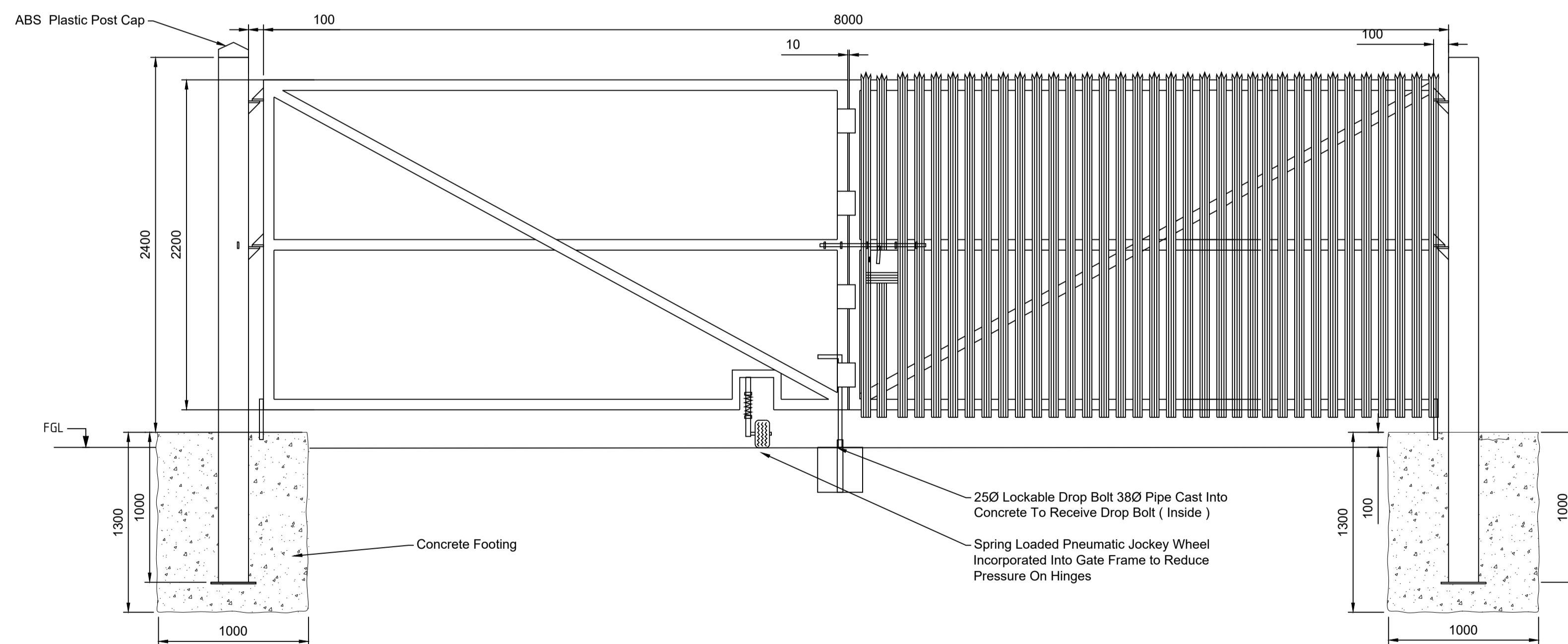


Materials  
 Posts 150x150x5 SHS  
 Frame 60x60x3 SHS  
 Infill 200x50x5 Mesh

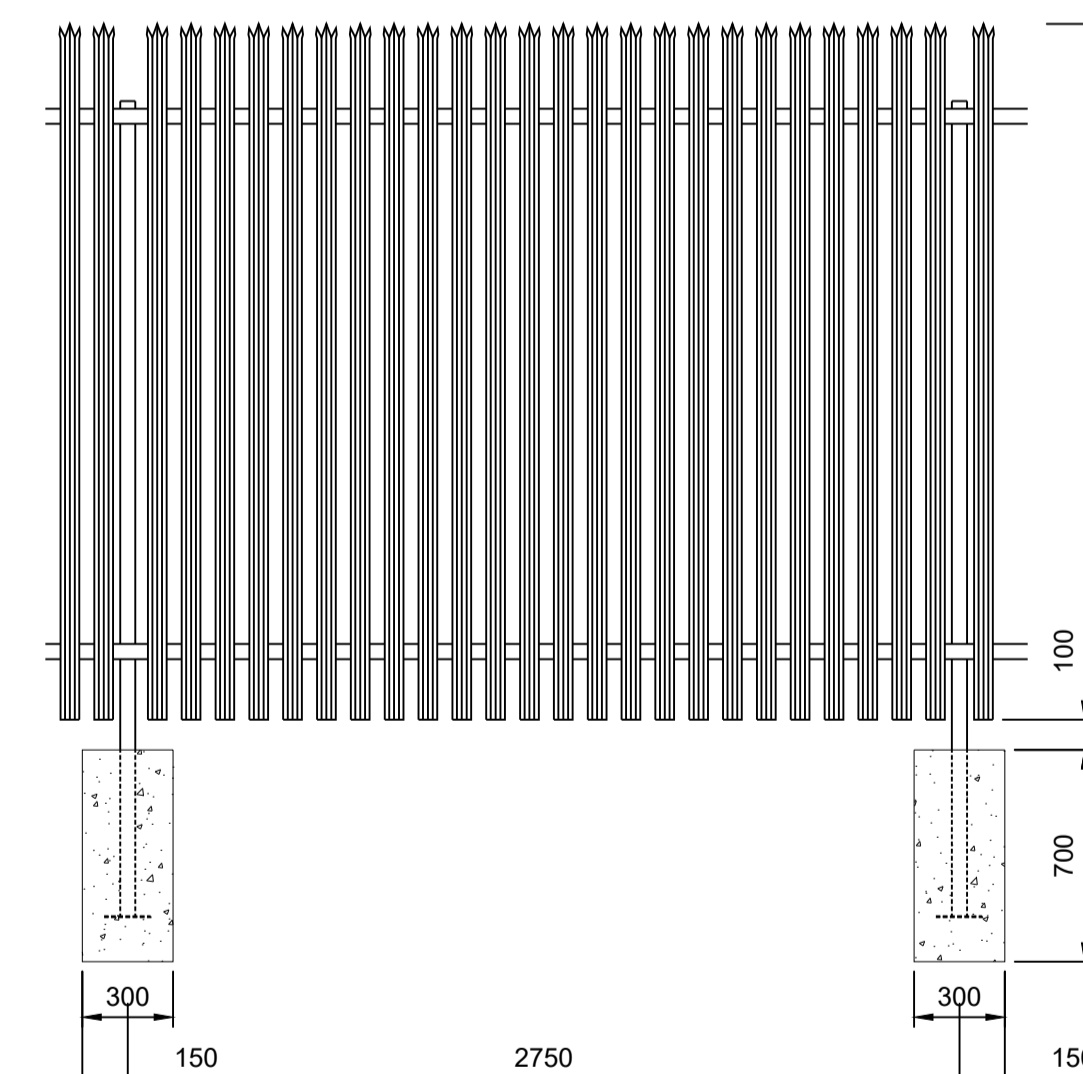
**TYPICAL SECURITY GATES**  
 Scale 1:25



**CCTV CAMERA**  
 Scale 1:10



**TYPICAL PALISADE GATE ELEVATION**  
 Scale 1:25



**TYPICAL PALISADE FENCE ELEVATION**  
 Scale 1:25

- Notes:**
1. All Dimensions are in Millimeters
  2. Perimeter fencing for security or stock proofing to be of timber post and wire construction as shown.
  3. Electrical compound fencing to be of steel palisade construction as shown.

If Applicable : Ordnance Survey Ireland Licence No. CYAL50221678 © Ordnance Survey Ireland and Government of Ireland



No part of this document may be reproduced or transmitted in any form or stored in any retrieval system of any nature without the written permission of Fehily Timoney & Company as copyright holder except as agreed for use on the project for which the document was originally issued. Do not scale. Use figured dimensions only. If in doubt - Ask!

Rev.	Description	App By	Date
P01	FOR PLANNING	JH	19.09.24

PROJECT	CLIENT				
<b>BALLYNAHONE LONG DURATION ENERGY STORAGE</b>	<b>FUTUREENERGY IRELAND DEVELOPMENT DAC</b>				
<b>SHEET</b>	Date	19.09.24	Project number	P23-117	
	Scale (@ A1)	AS SHOWN		Rev	P01
	Drawn by	POR	Drawing Number	P23-117-0300-0004	
Checked by	TB				

O:\ACAD\2023\P23-117\P23-117-0300-0004