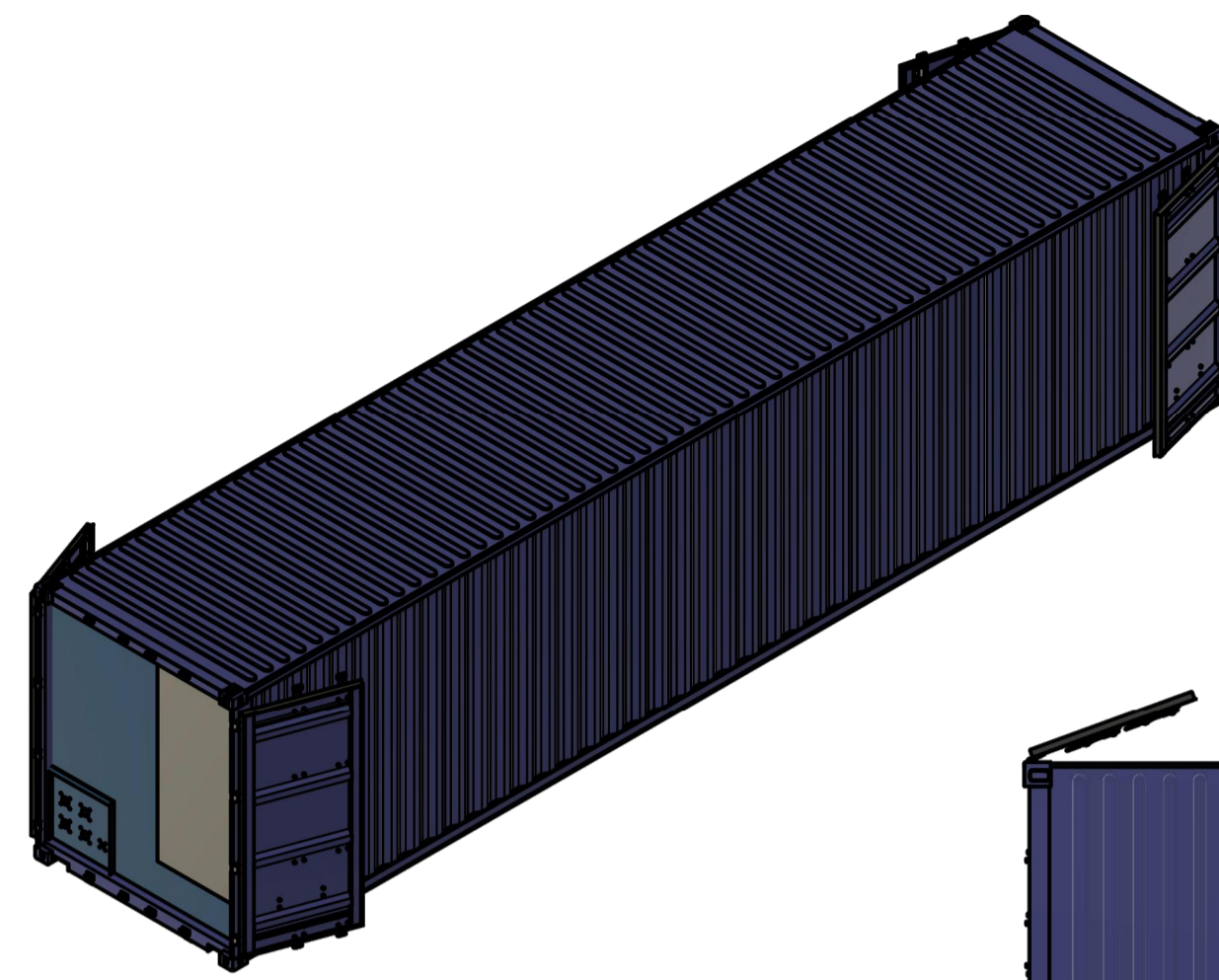
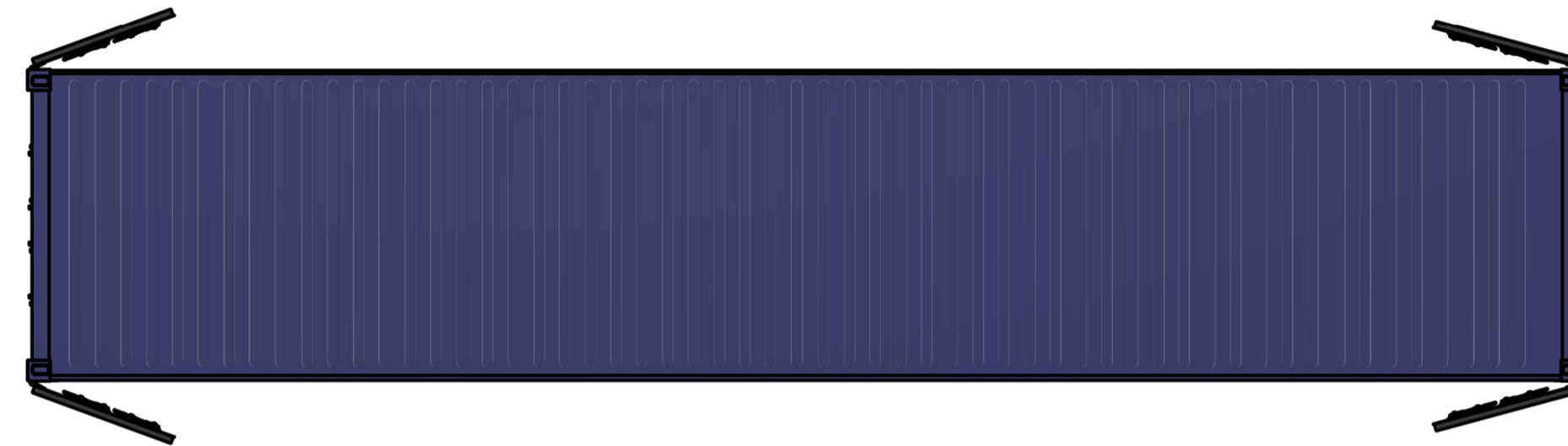


ID	APPLICATION	DESCRIPTION	MATERIAL
E	FINAL PERMEATE OUT	150# RF FLANGE	SCH80 PVC
D	CUSTOMER STORAGE FEED TO RO1	150# RF FLANGE	SCH80 PVC
C	PRETREATMENT FILTRATE TO CUSTOMER STORAGE	150# RF FLANGE	SCH80 PVC
B	WASTE	150# RF FLANGE	SCH80 PVC
A	SYSTEM INLET FEED	150# RF FLANGE	SCH80 PVC

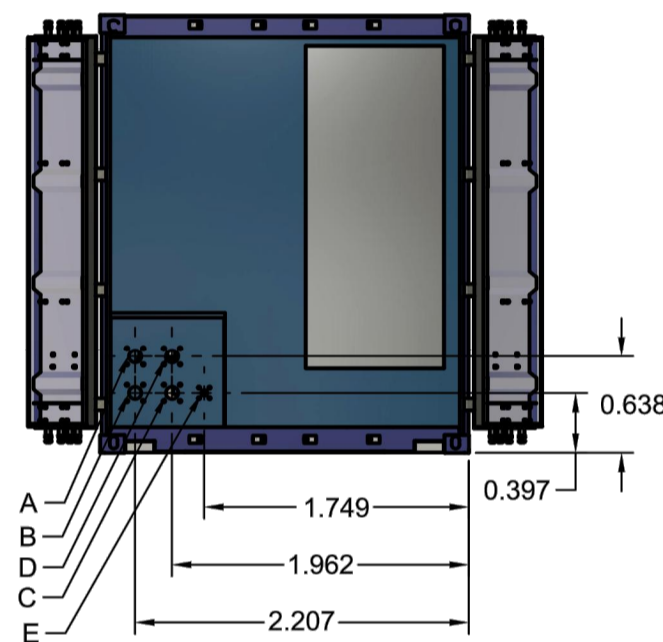
GENERAL CALLOUTS



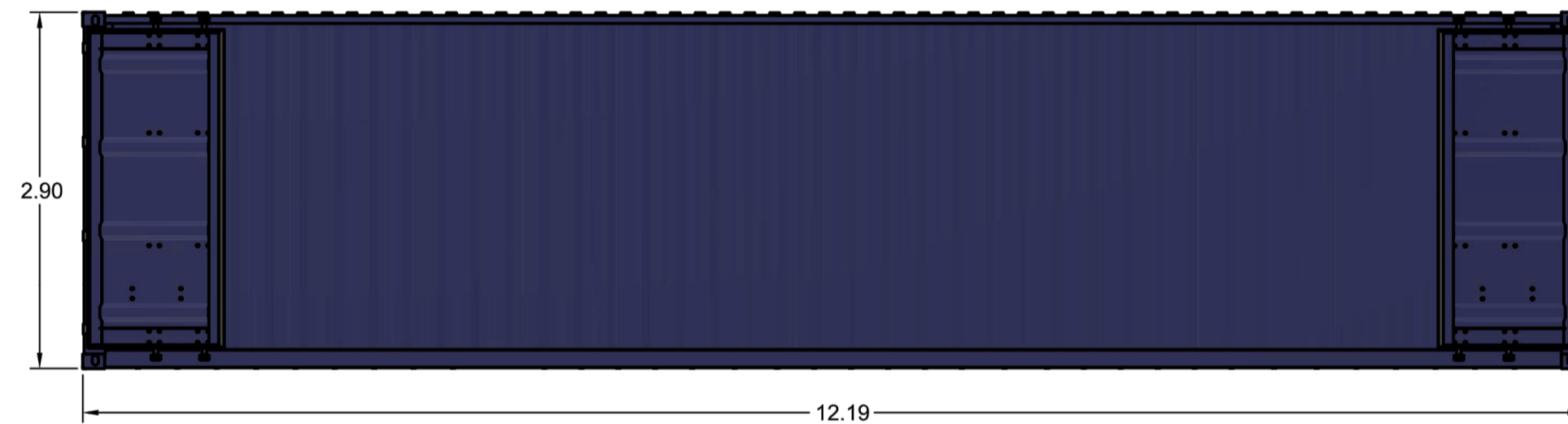
ISOMETRIC VIEW



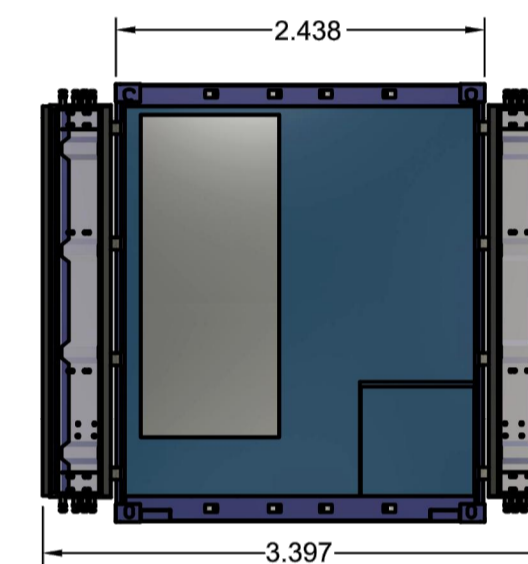
PLAN



END VIEW



ELEVATION



REPRESENTATIVE PHOTOGRAPH

If Applicable : Ordnance Survey Ireland Licence No. CYAL50221678 © Ordnance Survey Ireland and Government of Ireland

Rev.	Description	App By	Date
P01	FOR PLANNING	JH	19.09.24

PROJECT	CLIENT		
BALLYNAHONE LONG DURATION ENERGY STORAGE	FUTUREENERGY IRELAND DEVELOPMENT DAC		
REVERSE OSMOSIS WATER TREATMENT SYSTEM	Date	19.09.24	Project number
	Drawn by	POR	P23-117
	Checked by	TB	Drawing Number
		P23-117-0300-0005	Scale (@ A1) Scale N/A
			Rev P01