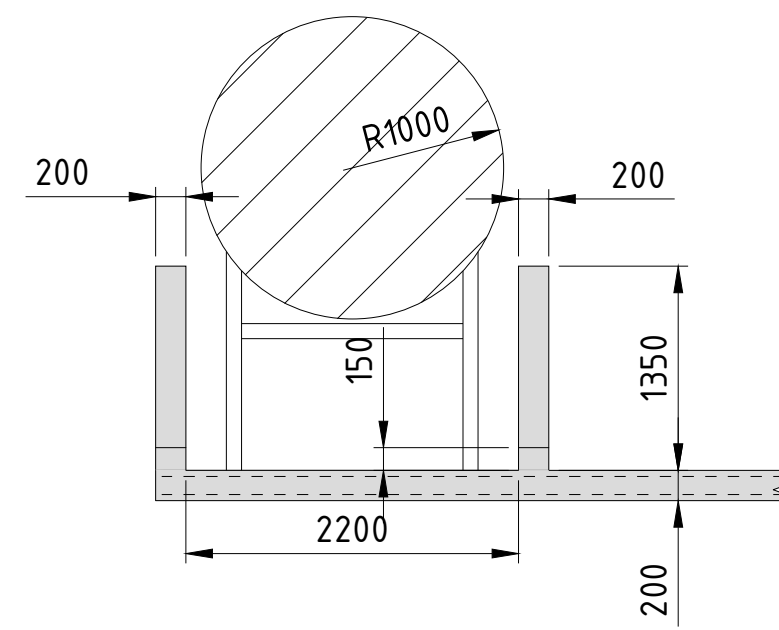
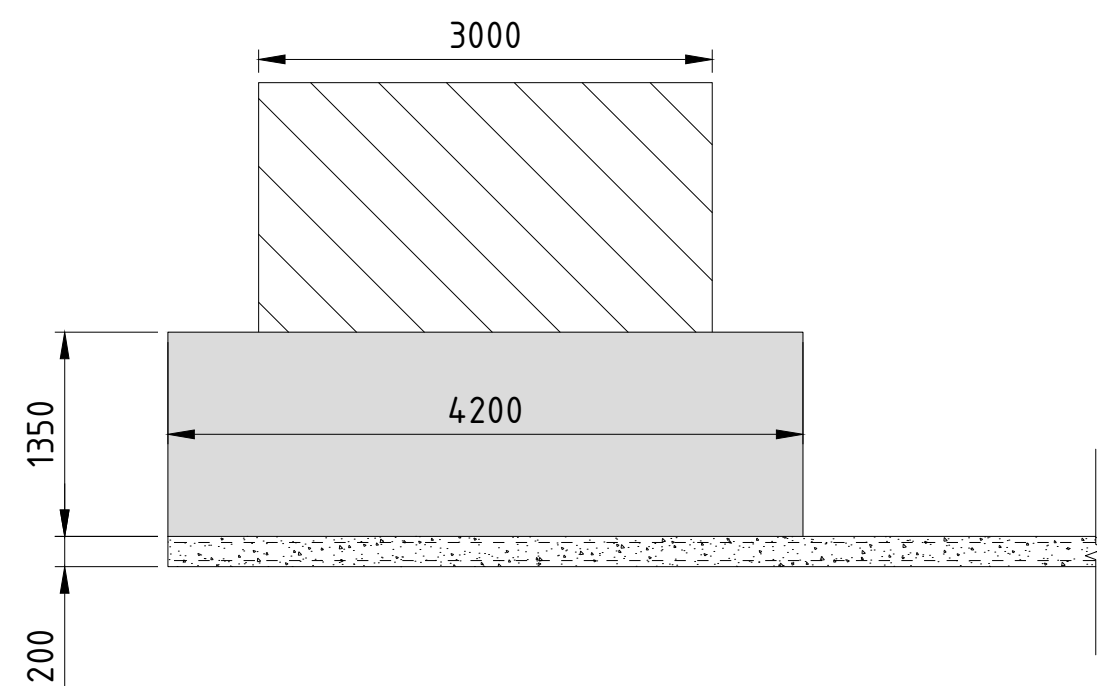


ELEVATION VIEW 2

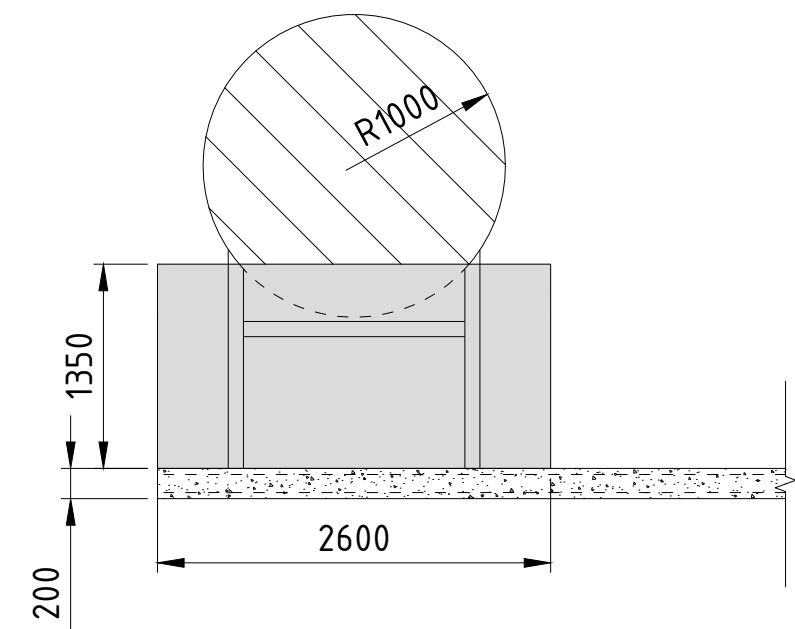
ELEVATION VIEW 1
PLAN
 Scale 1:50



SECTION A-A
 Scale 1:50



ELEVATION VIEW 1
 Scale 1:50



ELEVATION VIEW 2
 Scale 1:50

If Applicable : Ordnance Survey Ireland Licence No. CYALS0221678 © Ordnance Survey Ireland and Government of Ireland



No part of this document may be reproduced or transmitted in any form or stored in any retrieval system of any nature without the written permission of Fehily Timoney & Company as copyright holder except as agreed for use on the project for which the document was originally issued. Do not scale. Use figured dimensions only. If in doubt - Ask!

Rev.	Description	App By	Date
P01	FOR PLANNING	JH	19.09.24

PROJECT	CLIENT		
BALLYNAHONE LONG DURATION ENERGY STORAGE	FUTUREENERGY IRELAND DEVELOPMENT DAC		
SHEET	Date 19.09.24	Project number P23-117	Scale (@ A3) 1:50
BUNDED FUEL AREA DETAILS	Drawn by POR	Drawing Number P23-117-0501-0005	Rev P01
	Checked by TB		

O:\ACAD\2023\23-117\23-117-0501-0005

Friday 20 September 2024