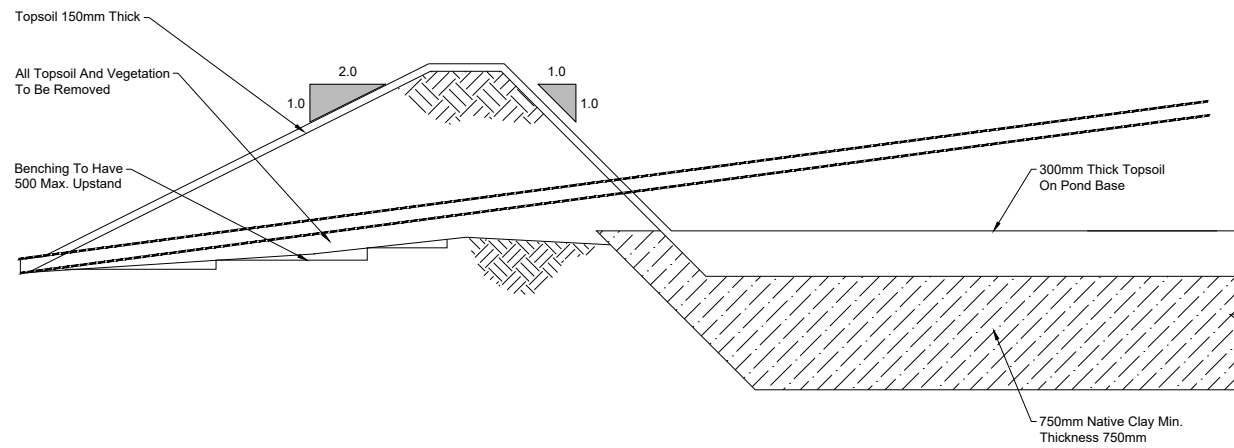


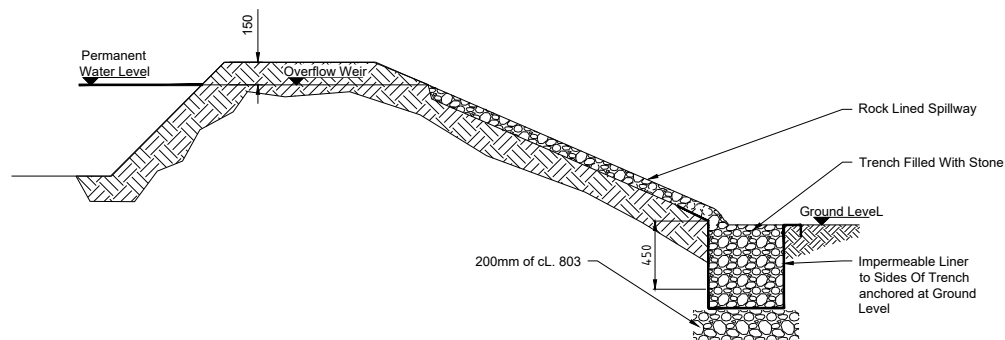
**BUND CONSTRUCTION**

Scale 1:50



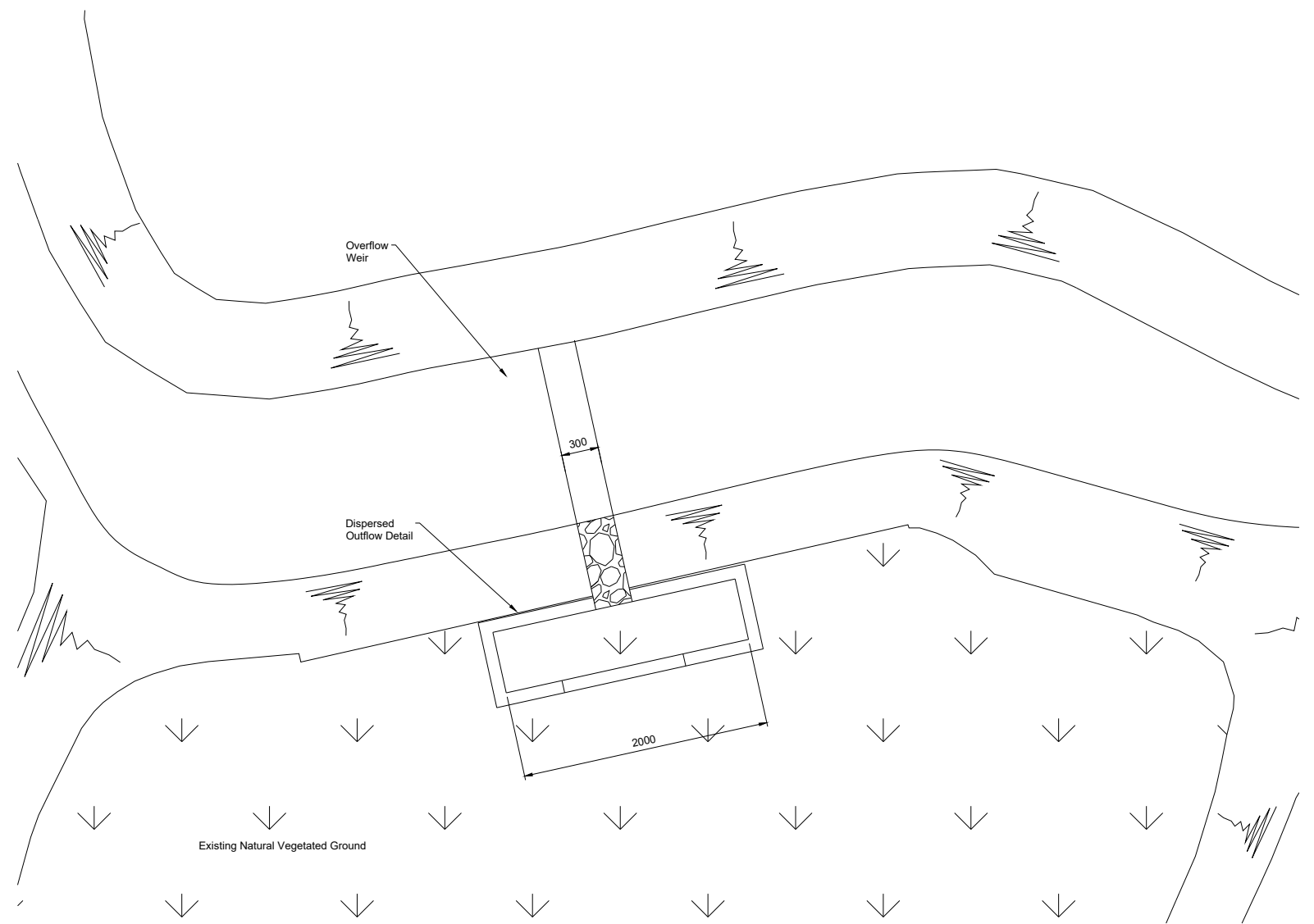
**BUND CONSTRUCTION**

Scale 1:50



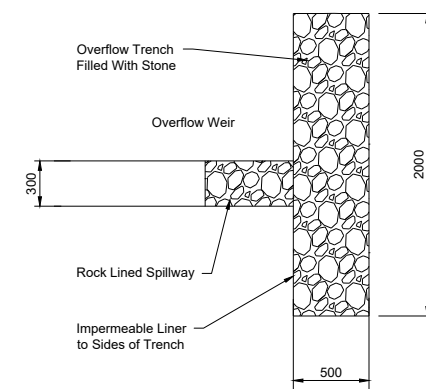
**BUND CONSTRUCTION**

Scale 1:50



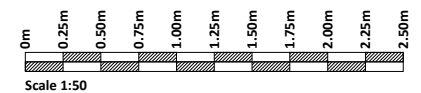
**PLAN OF POND OUTFALL DETAIL**

Scale 1:50



**PLAN**

Scale 1:50



If Applicable : Ordnance Survey Ireland Licence No. CYAL50221678 © Ordnance Survey Ireland and Government of Ireland



No part of this document may be reproduced or transmitted in any form or stored in any retrieval system of any nature without the written permission of Fehily Timoney & Company as copyright holder except as agreed for use on the project for which the document was originally issued. Do not scale. Use figured dimensions only. If in doubt - Ask!

Rev.	Description	App By	Date
P01	FOR PLANNING	JH	19.09.24

PROJECT	CLIENT		
<b>BALLYNAHONE LONG DURATION ENERGY STORAGE</b>	<b>FUTUREENERGY IRELAND DEVELOPMENT DAC</b>		
SHEET	Date	Project number	Scale (@ A3)
<b>SETTLEMENT POND DETAILS SHEET 2 OF 2</b>	19.09.24	P23-117	1:50
	Drawn by	Drawing Number	Rev
	POR	<b>P23-117-0501-0007</b>	<b>P01</b>
	Checked by		
	TB		

O:\ACAD\2023\23-117\23-117-0501-0007

Friday 20 September 2024